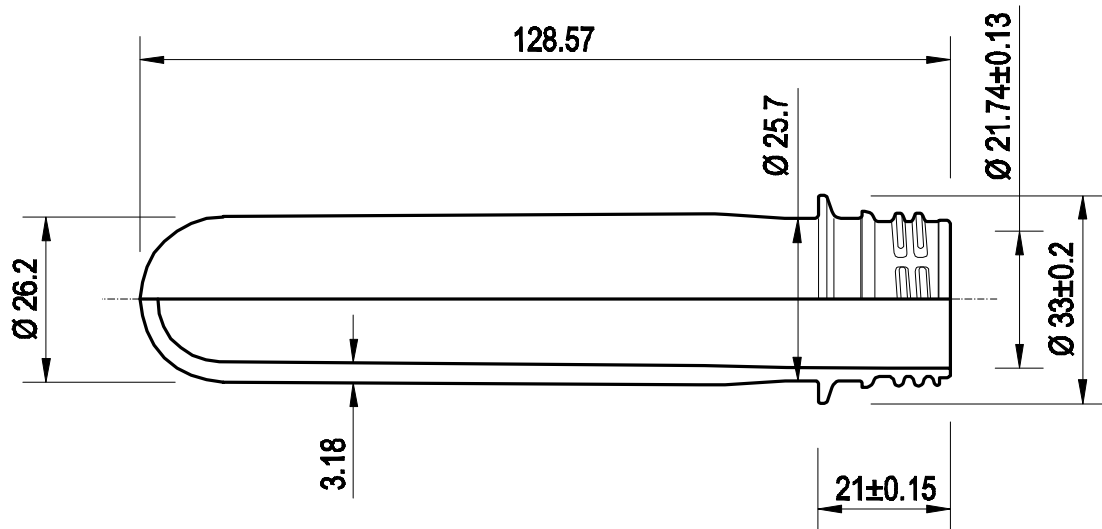


**PET Preforms**

 Visit our Web Site at [Http://www.resilux.com](http://www.resilux.com)
**Product Reference**
**P368TA**


<b>Product Range</b>	<b>Carbonated Drinks</b>
<b>Weight</b>	<b>36,8 gr</b>
<b>Neck-Finish</b>	<b>Standard PCO</b>

For further information about this product, please feel free to contact our sales people / agencies.

The content of this document is provided purely for information purposes and does not, under any circumstances, constitute a business proposal or investment advice relating to the shares of RESILUX NV or its group companies.