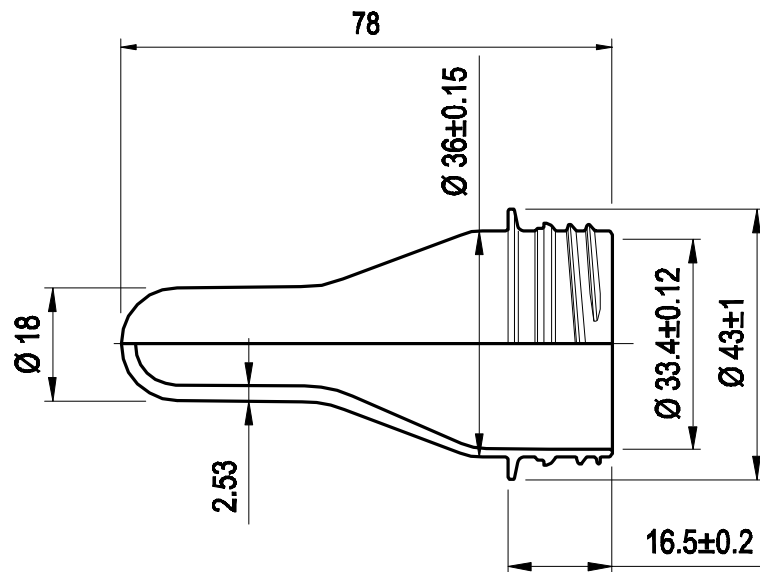


PET Preforms

 Visit our Web Site at [Http://www.resilux.com](http://www.resilux.com)
Product Reference
P163M6


| | |
|----------------------|------------------------|
| Product Range | 38 mm. neck |
| Weight | 16,3 gr |
| Neck-Finish | 38 / 33 Bericap |
| | 3 thread |

For further information about this product, please feel free to contact our sales people / agencies.